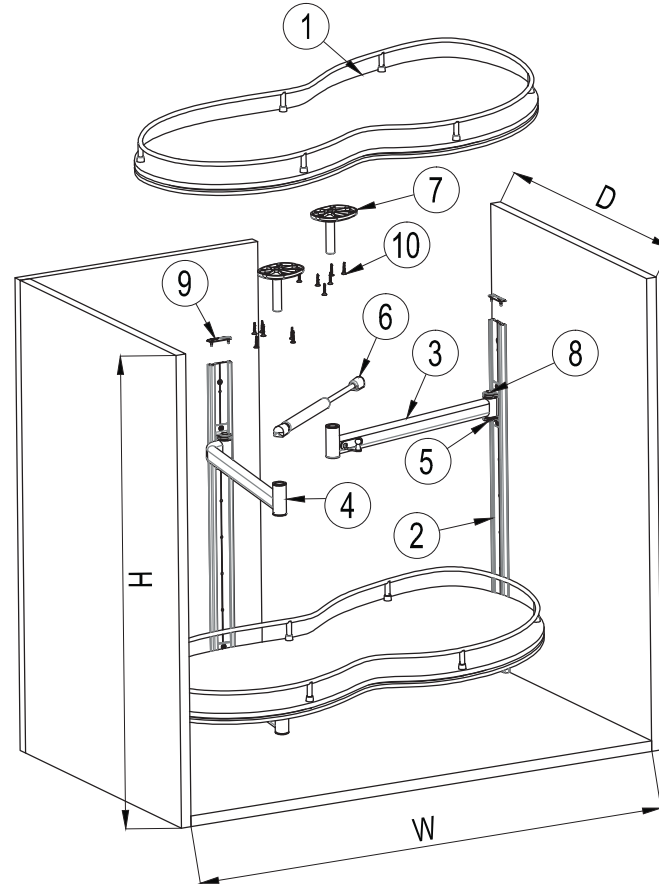
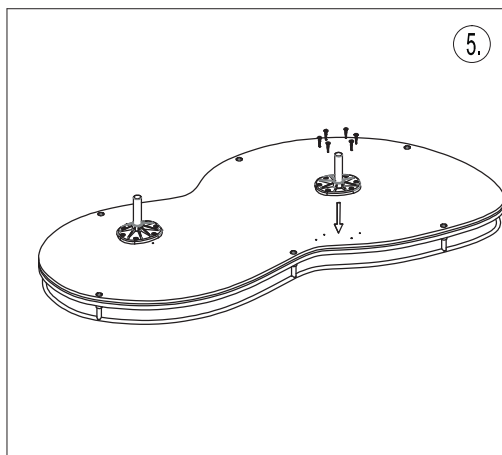
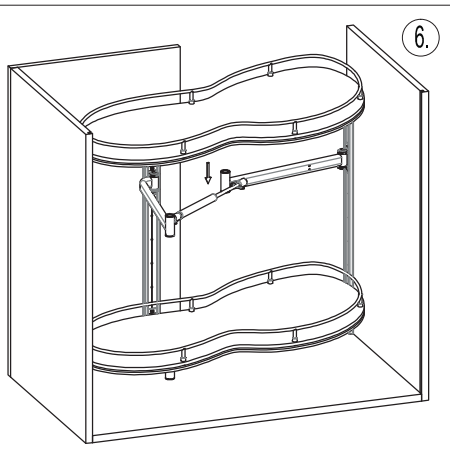
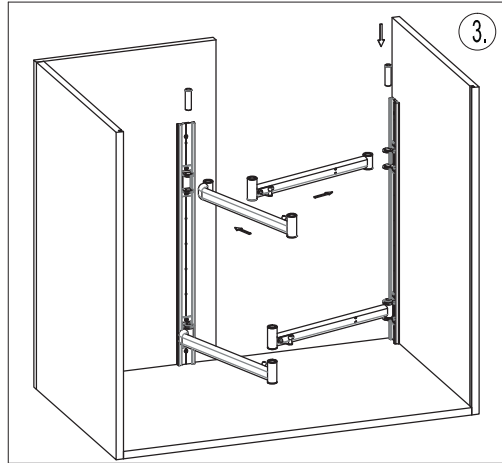
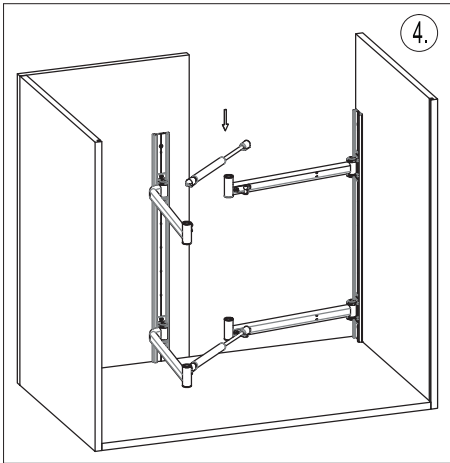
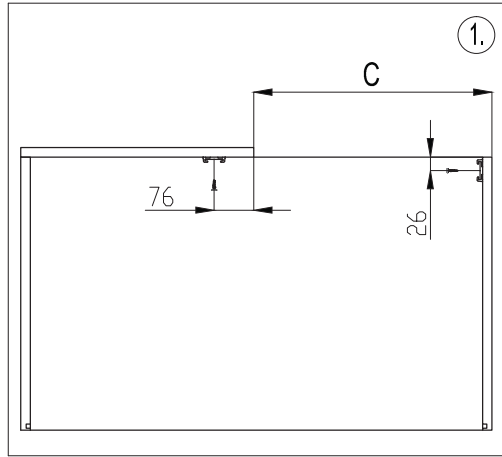
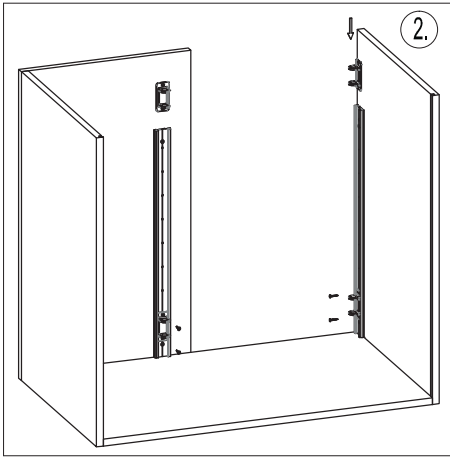


- S-3103
- S-3105
- DÖNER TABLALI KÖRKÖŞE MEKANİZMASI MONTAJ ŞEMASI (SOL)
- Turnboard Secret Corner Mechanism
- Mounting Instructions (Left)



W	Min : 810 mm
D	Min : 460 mm
H	Min : 600 mm
C	Min : 400 mm

KULLANILAN PARÇALAR		
ITEMS PART		
ADET PCS.	PARÇA RESMİ PART DRAWING	NO
2		1
2		2
2		3
2		4
4		5
2		6
4		7
4		8
2		9
36		10