

TRACK-PRO

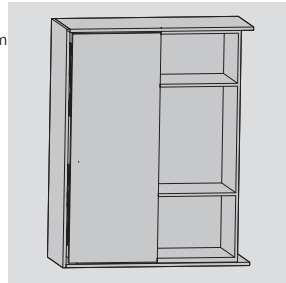
R01 Series Pocket-sliding Door System

PRODUCT



DESCRIPTION

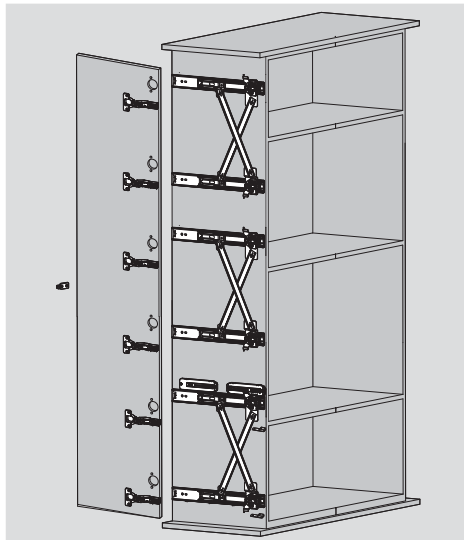
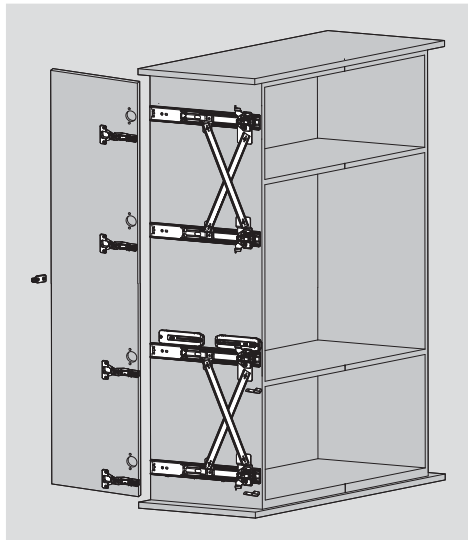
- 3D Adjustment : height adjustment ±2mm side adjustment+3mm,-2mm depth adjustment ±3mm
- Door rotates to open and slides into cabinet sides
- Gentle and smooth door opening and dosing
- Door thickness: 16-30mm
- Two sets of slides:
Door height up to:2000mm,door weight up to 25kg
- Three sets of slides:
Door height:1600~2700mm,door weight up to 30kg



R01 Series Pocket-sliding Door System, for Wood Door

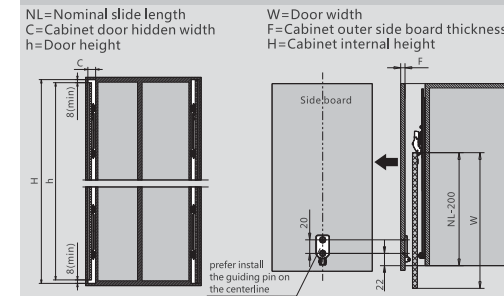
Kit Package			
NL (mm)	Two Sets of Slides Item No.	Set/ctn	
400	R014002H	5	
450	R014502H	5	
500	R015002H	5	
550	R015502H	5	
600	R016002H	5	
650	R016502H	5	
700	R017002H	5	

Kit Package			
NL (mm)	Three Sets of Slides Item No.	Set/ctn	
400	R014003H	3	
450	R014503H	3	
500	R015003H	3	
550	R015503H	3	
600	R016003H	3	
650	R016503H	3	
700	R017003H	3	

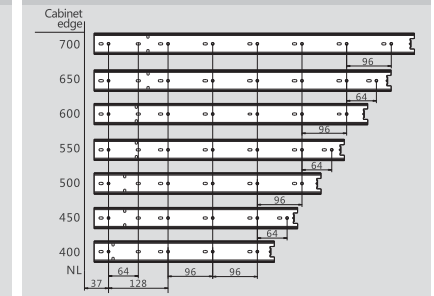


PLANNING

Door Installation Dimensions(mm)



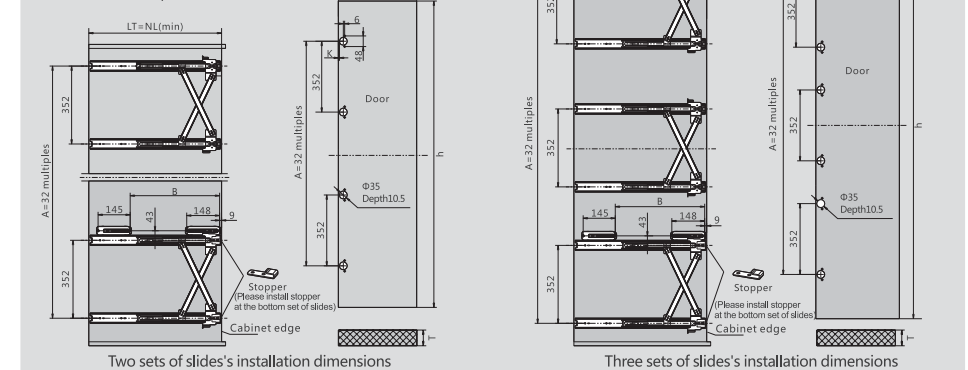
Screw Positions of the Slides(mm)



Door Installation Dimensions(mm)

NL	R01-400	R01-450	R01-500	R01-550	R01-600	R01-650	R01-700
B	204	254	304	354	404	454	504
h	1400	1600	1800	2000	2200	2400	2600/2700
A	1152(32x36)	1344(32x42)	1536(32x48)	1760(32x55)	1952(32x61)	2144(32x67)	2368(32x74)

Cabinet Internal Depth : LT=NL



Cabinet Installation Dimensions(mm)

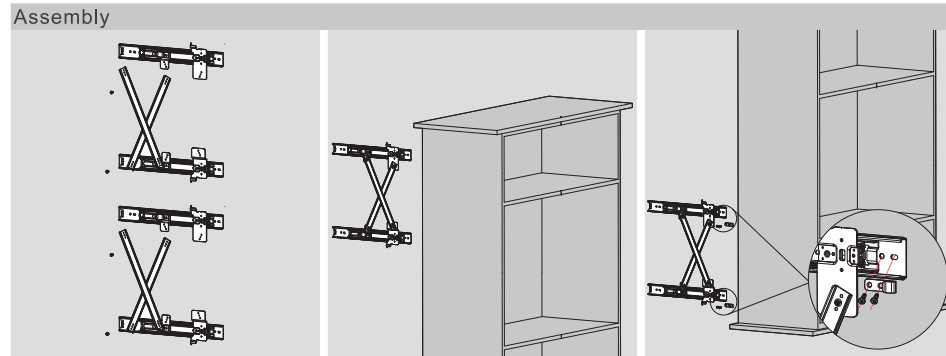
LW=Cabinet internal width	K=Drilling distance	T=Door thickness	D=Distance between door and outer side board																
$LW=2W+2-2E$	$LW=W-E-0.5$	$LW=(W-E-0.5+C)X2+F$		T	16	18	19	20	21	22	23	24	25	26	27	28	29	30	
				C	58	60	61	62	63	64	65	66	67	68	69	70	71	72	
				K	4	5	6	7	8	9	10	11	12	13	14	15	16	17	
				E	49.5	50.5	51.5	52.5	53.5	54.5	55.5	56.5	57.5	58.5	59.5	60.5	61.5	62.5	
				D	8	9	10	11	12	13	14	15	16	17	18	19	20	21	
				D	7	8	9	10	11	12	13	14	15	16	17	18	19	20	
				D	6	7	8	9	10	11	12	13	14	15	16	17	18	19	
				D	5	6	7	8	9	10	11	12	13	14	15	16	17	18	
				D	5	6	7	8	9	10	11	12	13	14	15	16	17	18	

3D Adjustment : height adjustment ±2mm side adjustment+3mm,-2mm depth adjustment±3mm

TRACK-PRO

Assembly and Adjustment(for R01 Series Pocket-sliding Door System)

Assembly

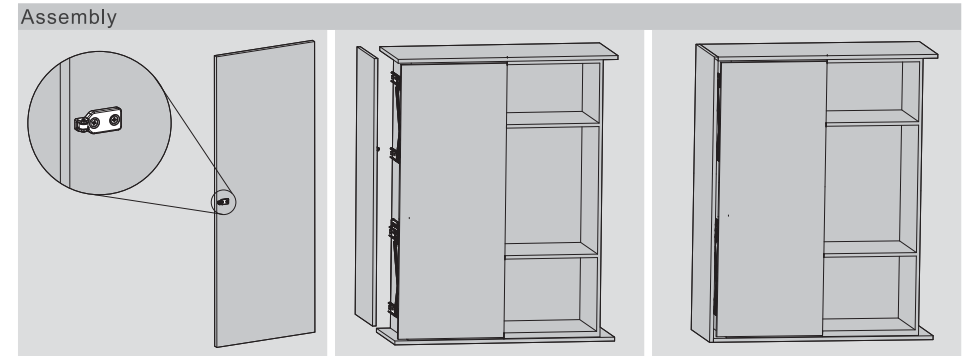


Install cross bars

Install the slide on the inner side board

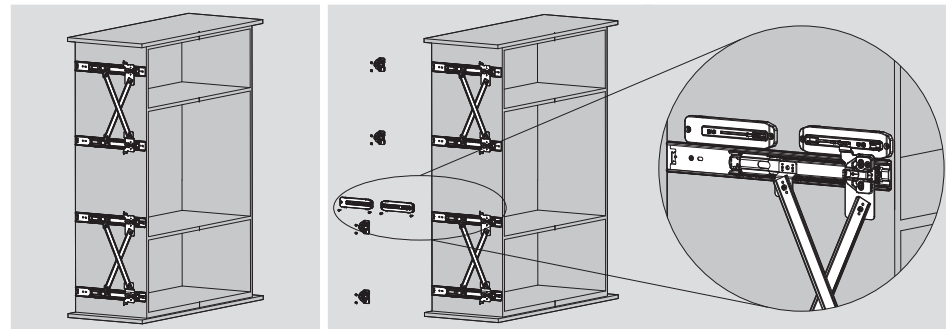
Install stopper (please install the stopper at the bottom set of slides)

Assembly



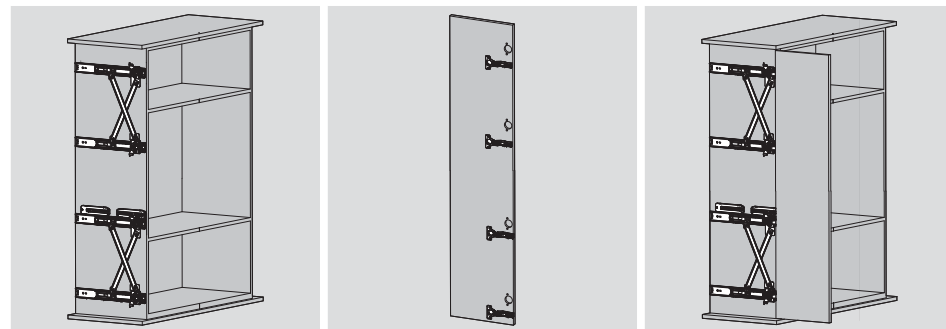
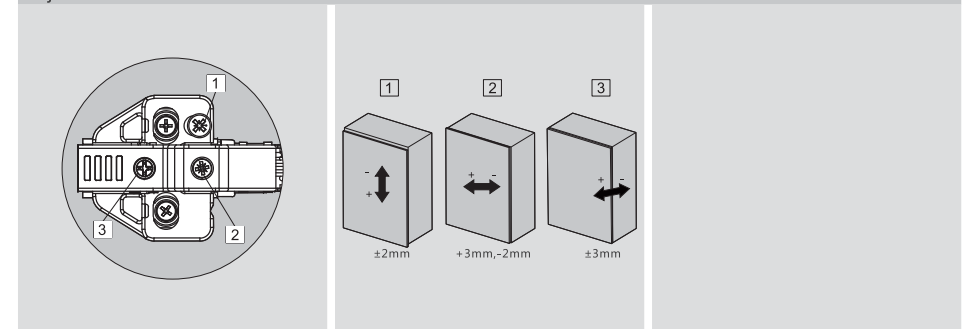
Install the guiding pin on the outer side board

Mount the outer side board



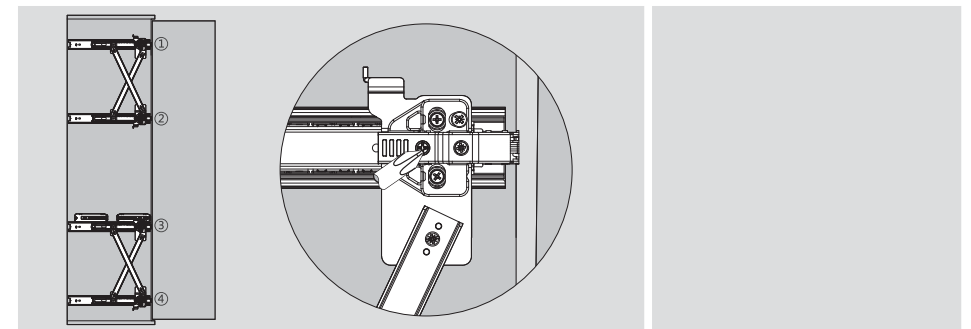
Mounting plates and slide accessories assembly

Adjustment



Hinges installation

Door assembly



Adjust the screw No.①③ to make the door move inside
Adjust the screw No.②④ to make the door move outside